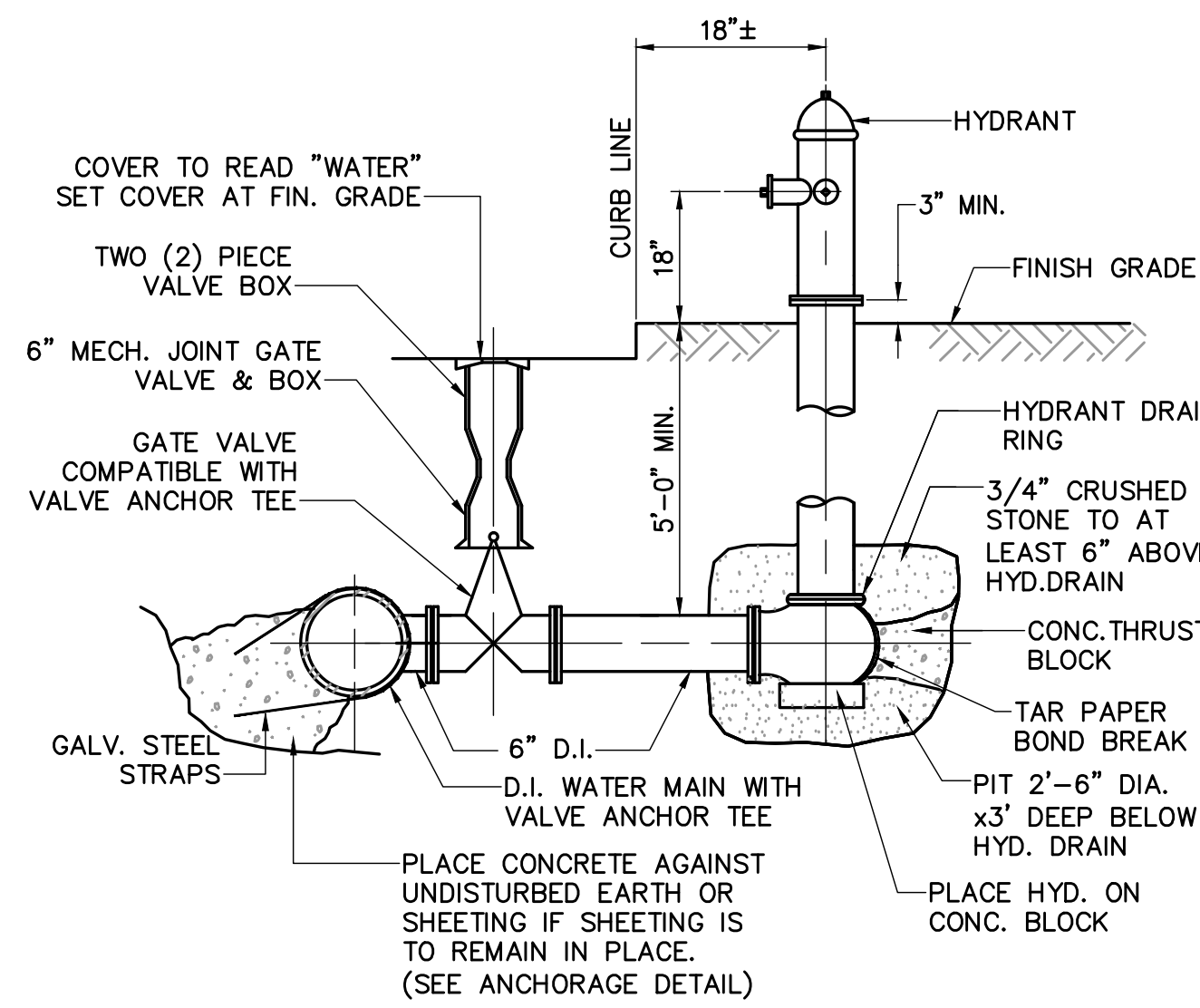
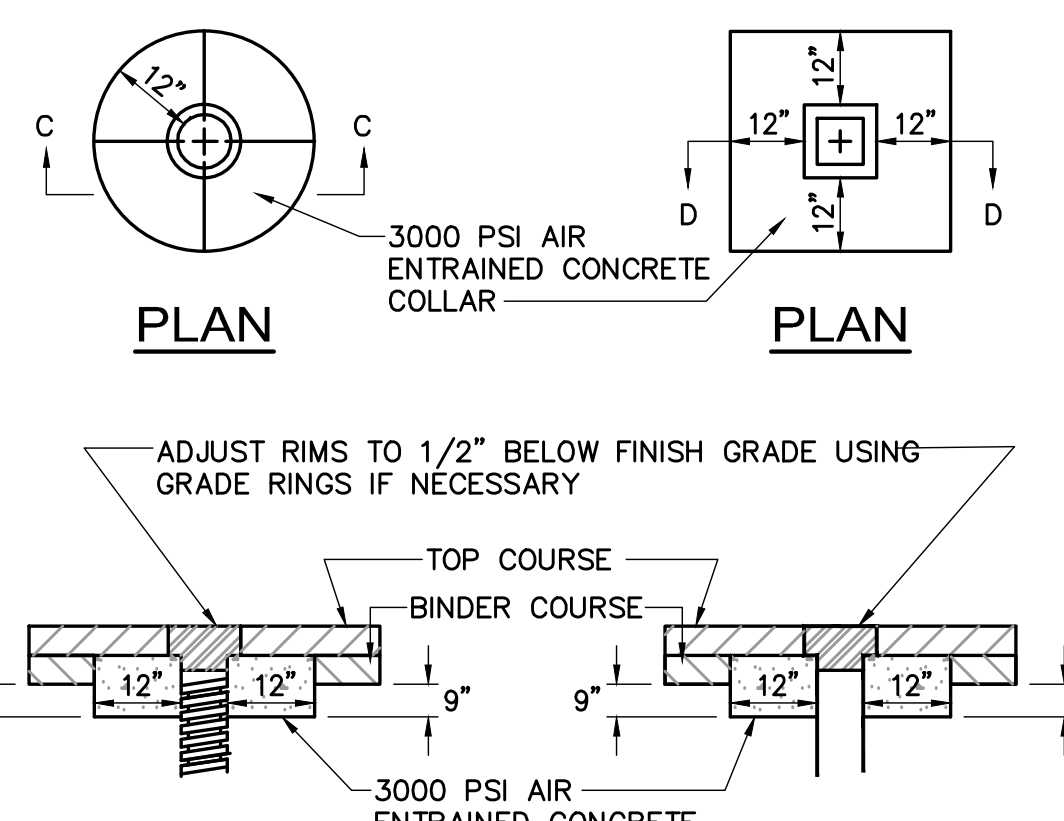


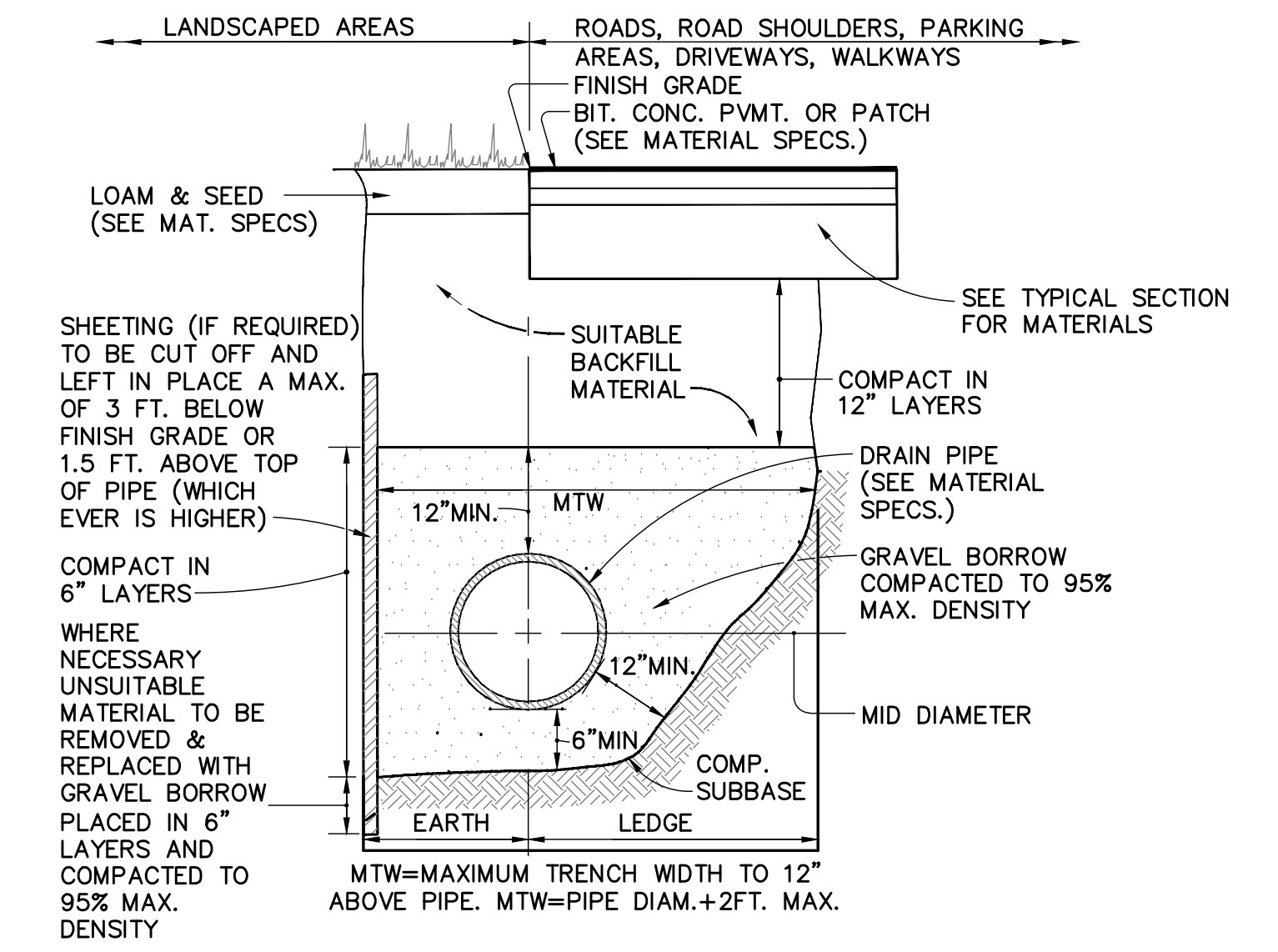
CAP DETAIL
NOT TO SCALE



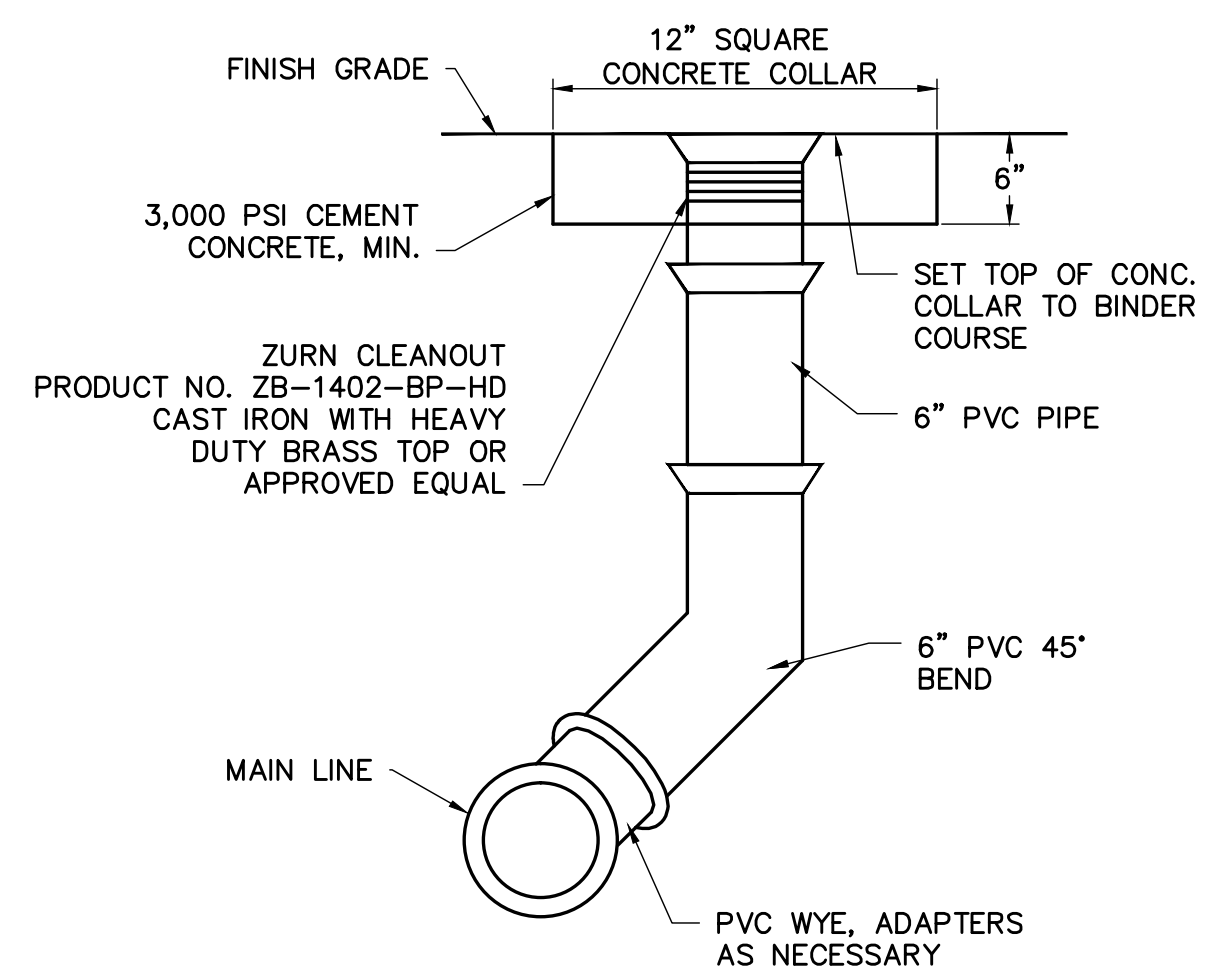
FIRE HYDRANT DETAIL
NOT TO SCALE



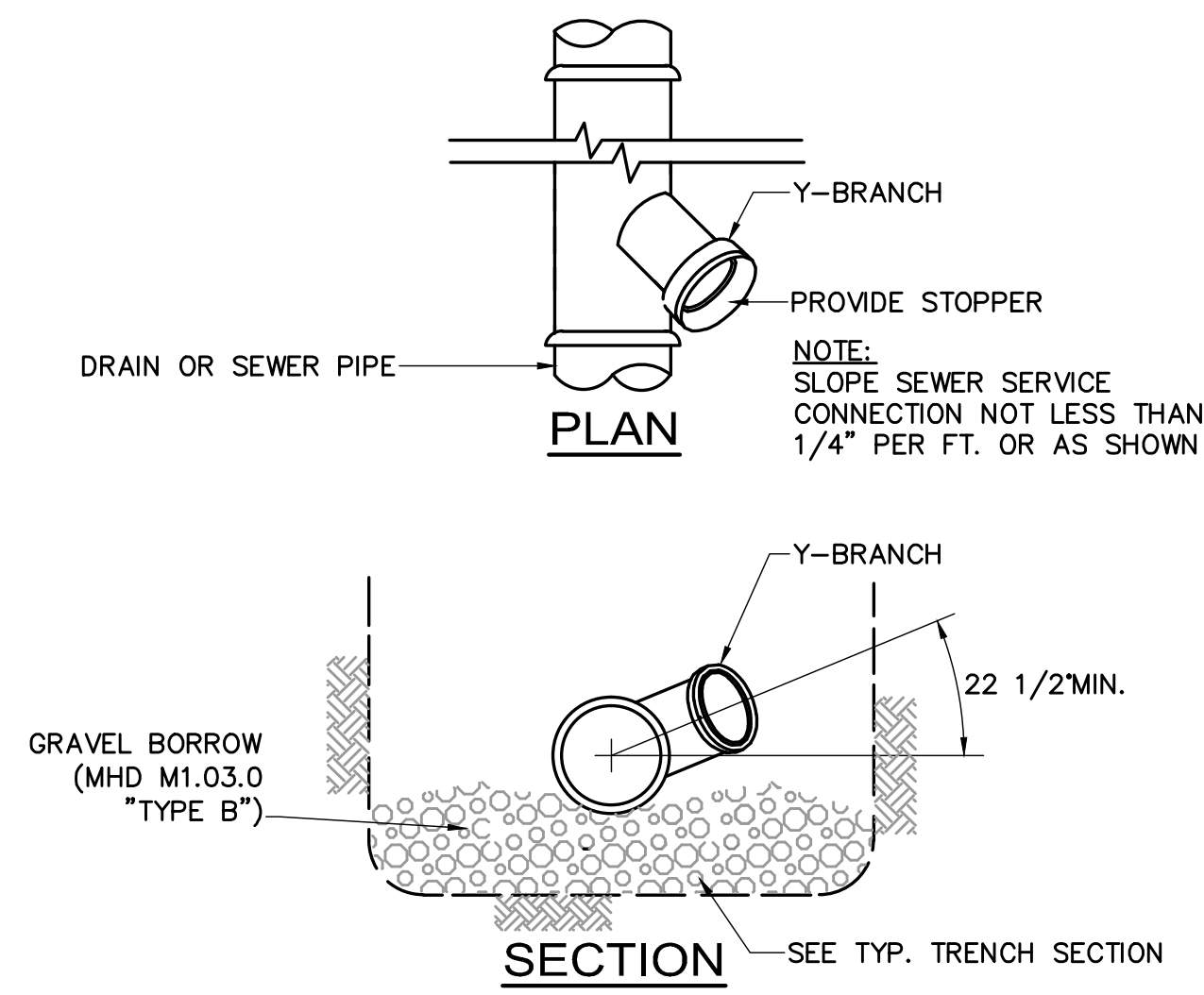
WATER GATE BOX DETAIL
NOT TO SCALE



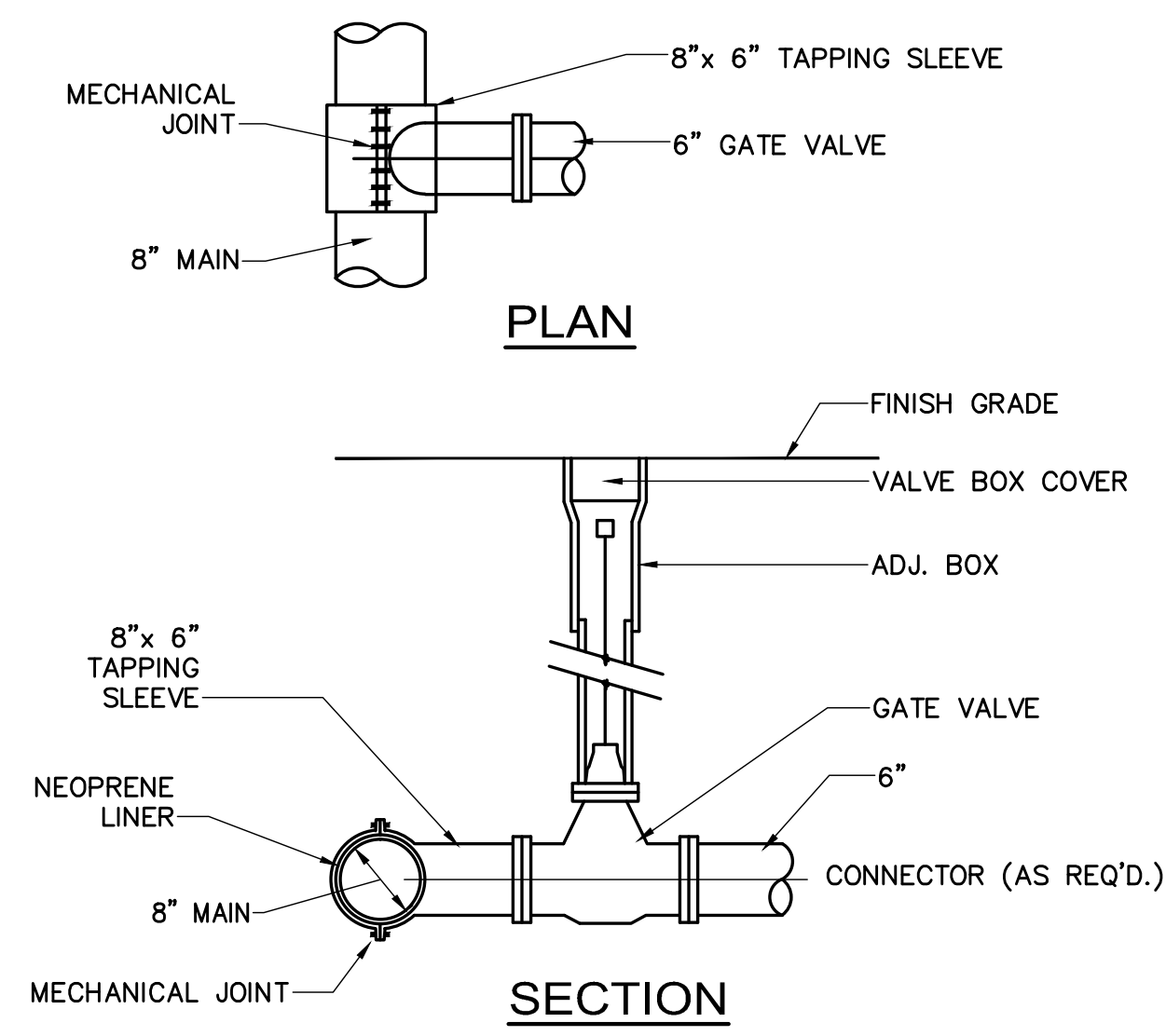
STANDARD TRENCH DETAIL FOR UTILITY PIPE
NOT TO SCALE



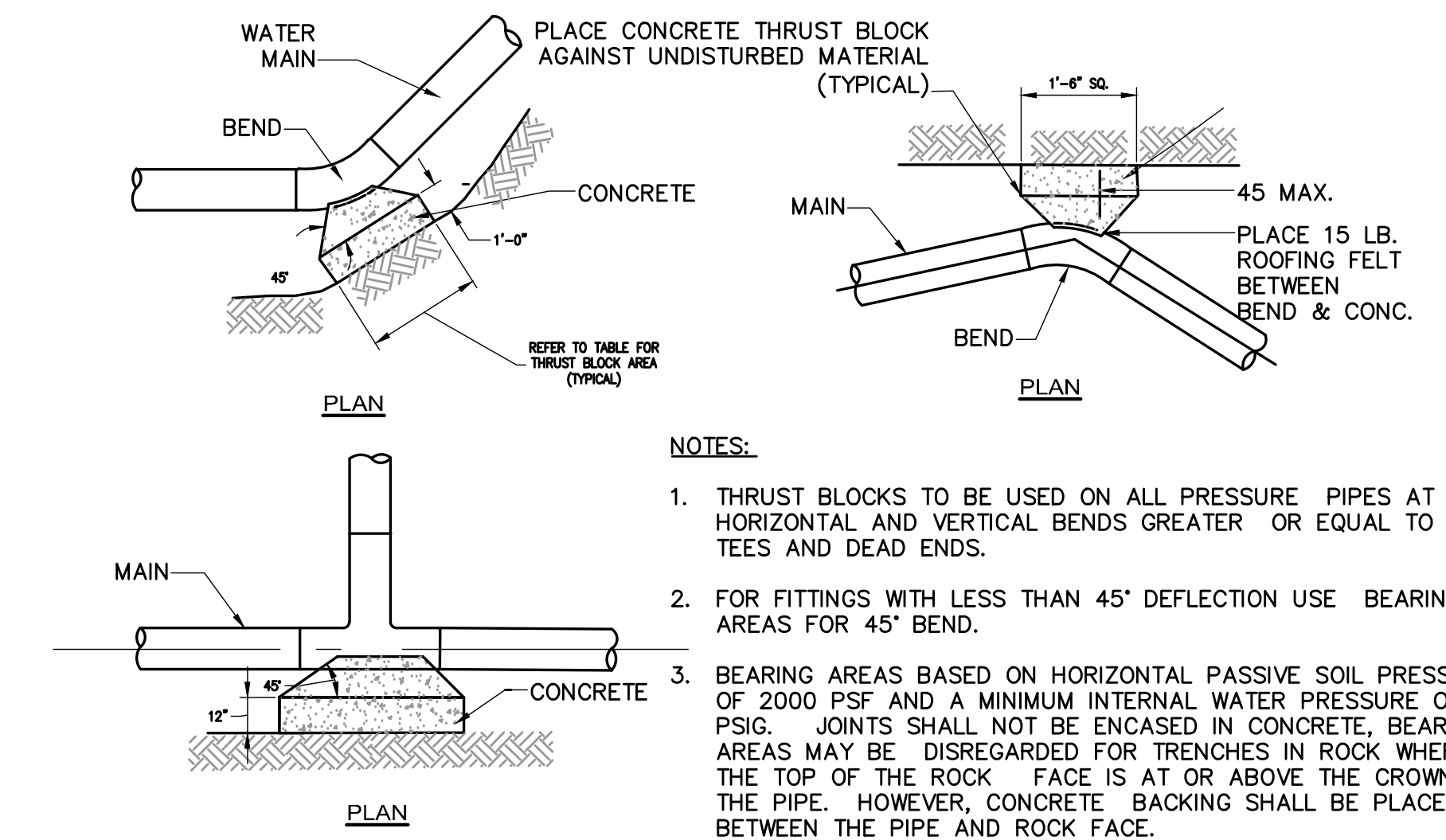
TYPICAL CLEANOUT DETAIL
NOT TO SCALE



WYE BRANCH FOR PIPE SERVICE CONNECTION DETAIL
NOT TO SCALE



TAPPING SLEEVE, VALVE & BOX DETAIL
NOT TO SCALE

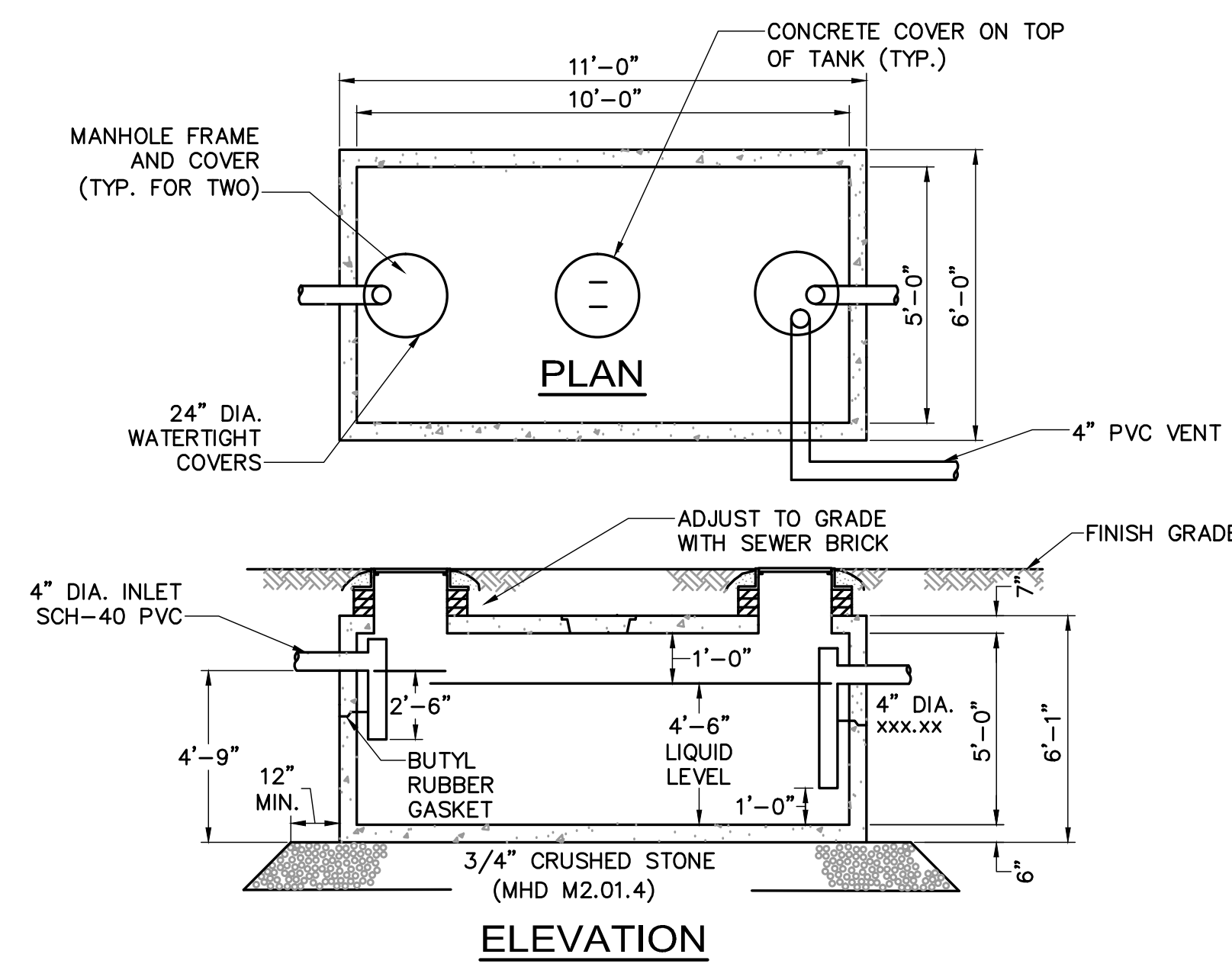


- NOTES:**
- THRUST BLOCKS TO BE USED ON ALL PRESSURE PIPES AT HORIZONTAL AND VERTICAL BENDS GREATER OR EQUAL TO 45°, TEES AND DEAD ENDS.
 - FOR FITTINGS WITH LESS THAN 45° DEFLECTION USE BEARING AREAS FOR 45° BEND.
 - BEARING AREAS BASED ON HORIZONTAL PASSIVE SOIL PRESSURE OF 2000 PSF AND A MINIMUM INTERNAL WATER PRESSURE OF 175 PSIG. JOINTS SHALL NOT BE ENCASED IN CONCRETE. BEARING AREAS MAY BE DISREGARDED FOR TRENCHES IN ROCK WHERE THE TOP OF THE ROCK FACE IS AT OR ABOVE THE CROWN OF THE PIPE. HOWEVER, CONCRETE BACKING SHALL BE PLACED BETWEEN THE PIPE AND ROCK FACE.

TABLE OF BEARING AREAS IN SQUARE FEET AGAINST UNDISTURBED MATERIAL FOR FITTING. *

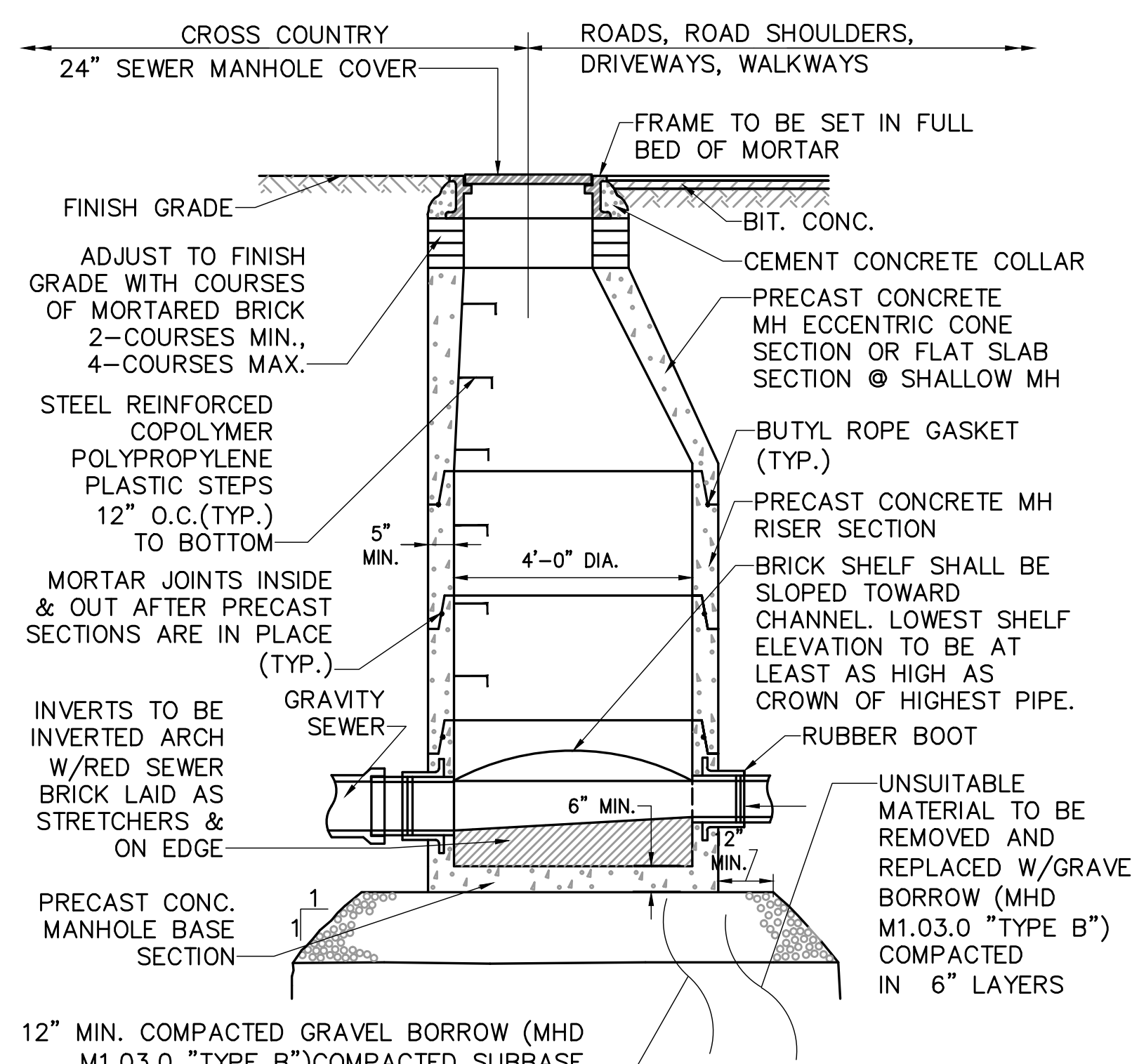
SIZE OF MAIN (INCHES)	90° BEND (S.F.)	45° BEND (S.F.)	DEAD END (S.F.)
2 & 4	2.3	1.3	1.6
6	4.7	2.5	3.3
8	8.0	4.5	6.0
12	17.0	9.5	12.0

THRUST BLOCK DETAILS
NOT TO SCALE

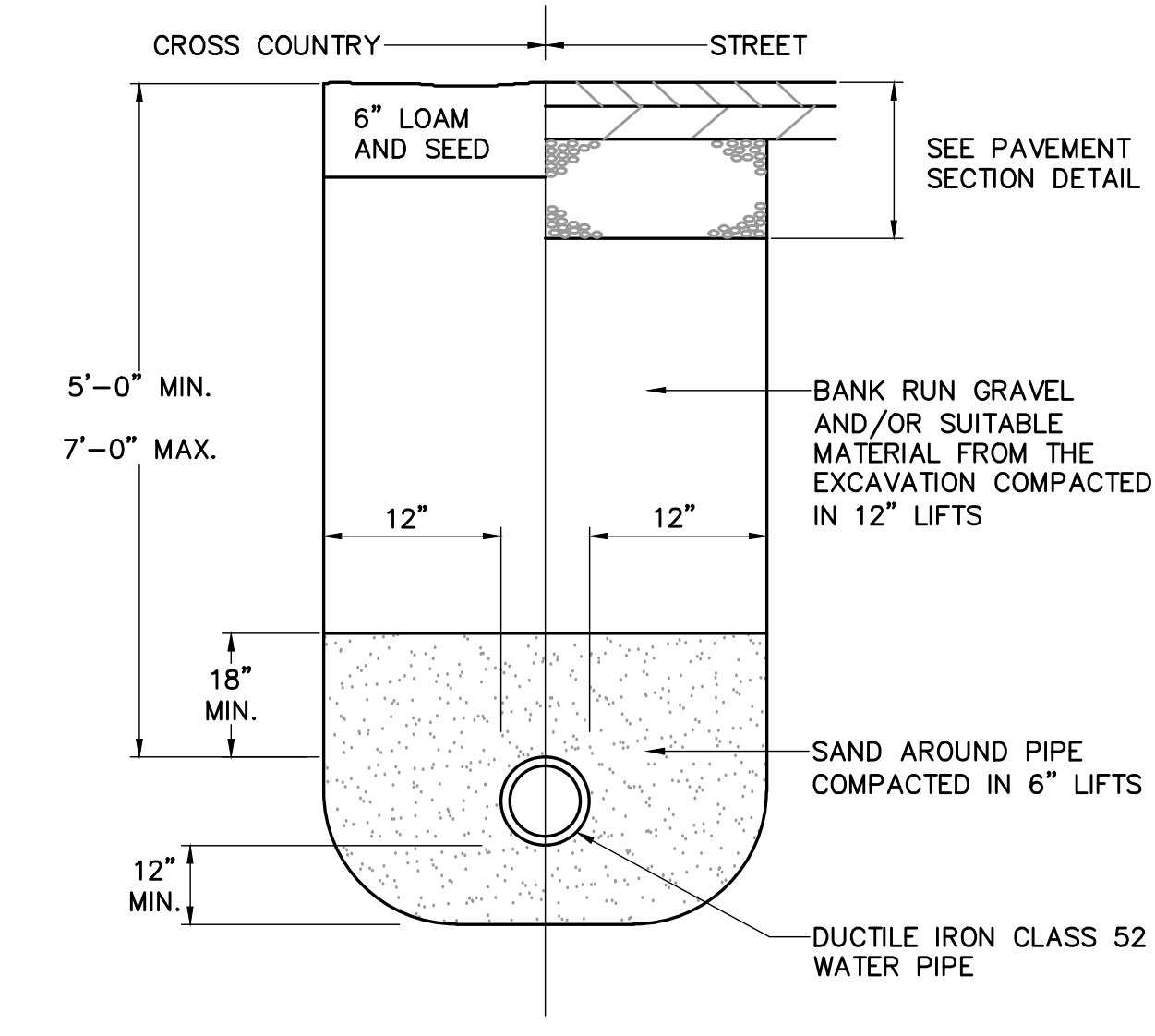


- SPECIFICATIONS:**
- CONCRETE MINIMUM STRENGTH - 5,000 PSI @ 28 DAYS
 - STEEL REINFORCEMENT - ASTM A615 GR. 60, A185 OR A497 - 1" MIN. COVER
 - DESIGN LOADING - AASHTO HS20-44 - EARTH COVER 0 TO 5 FEET
 - WATER TABLE - 0 FEET
 - CONSTRUCTION JOINT - SEALED WITH 1" DIA. BUTYL RUBBER OR EQUIVLENT
 - TOTAL CAPACITY - 1,500 GALLONS

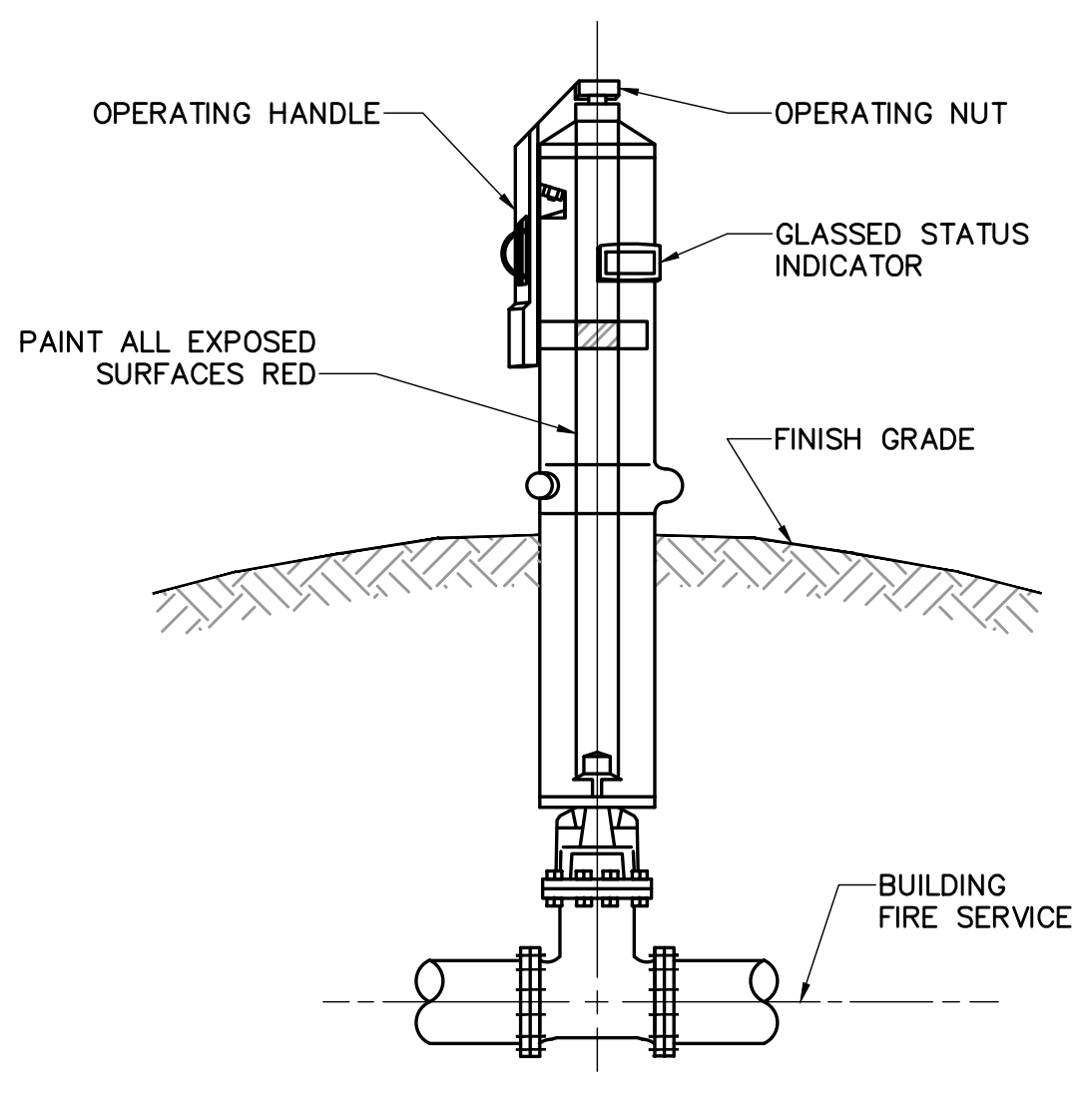
6,000 GALLON GREASE TRAP
NOT TO SCALE



TYPICAL SEWER MANHOLE DETAIL
NOT TO SCALE



WATER TRENCH DETAIL
NOT TO SCALE



POST INDICATOR VALVE DETAIL
NOT TO SCALE